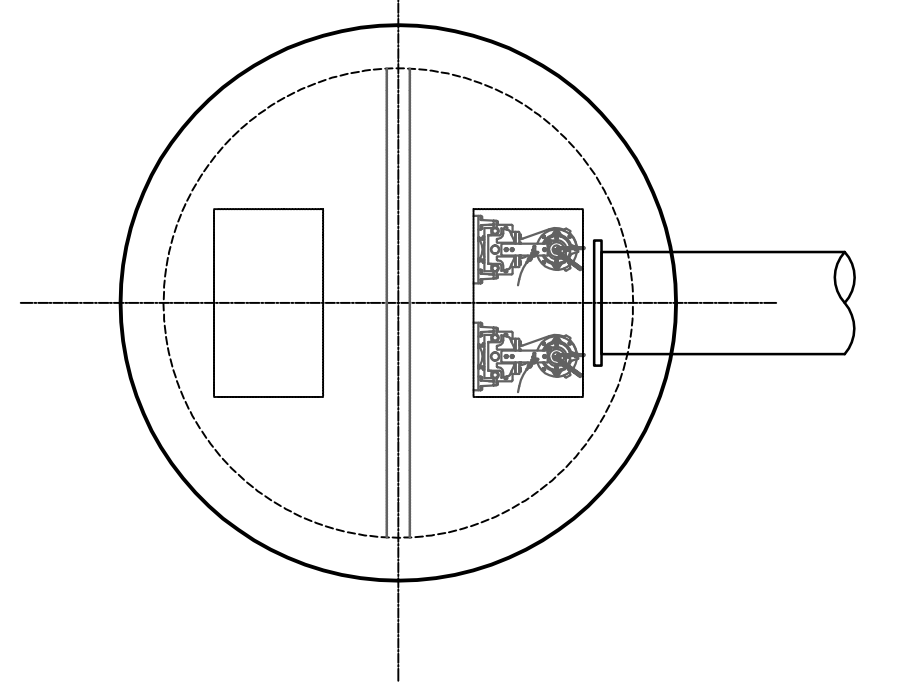
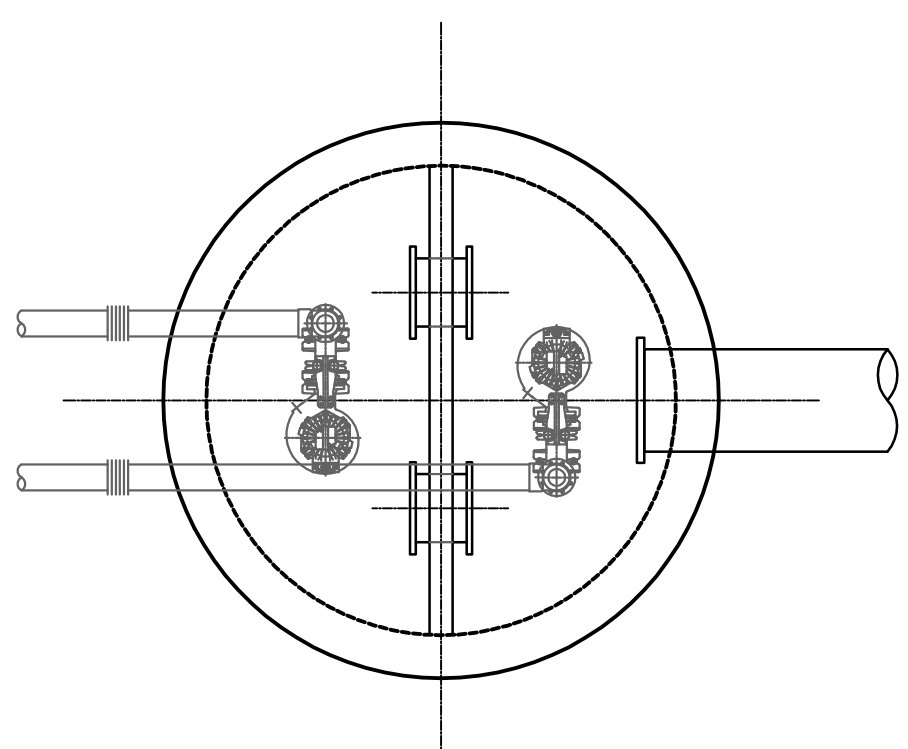


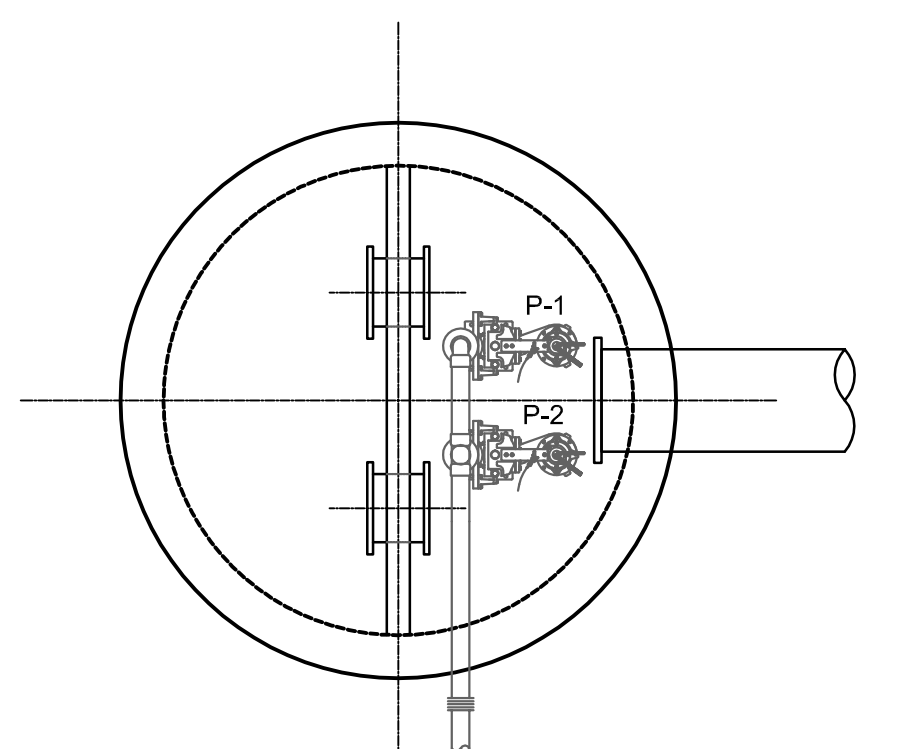
PLAN VIEW - ULTIMATE @ EL 130.30m



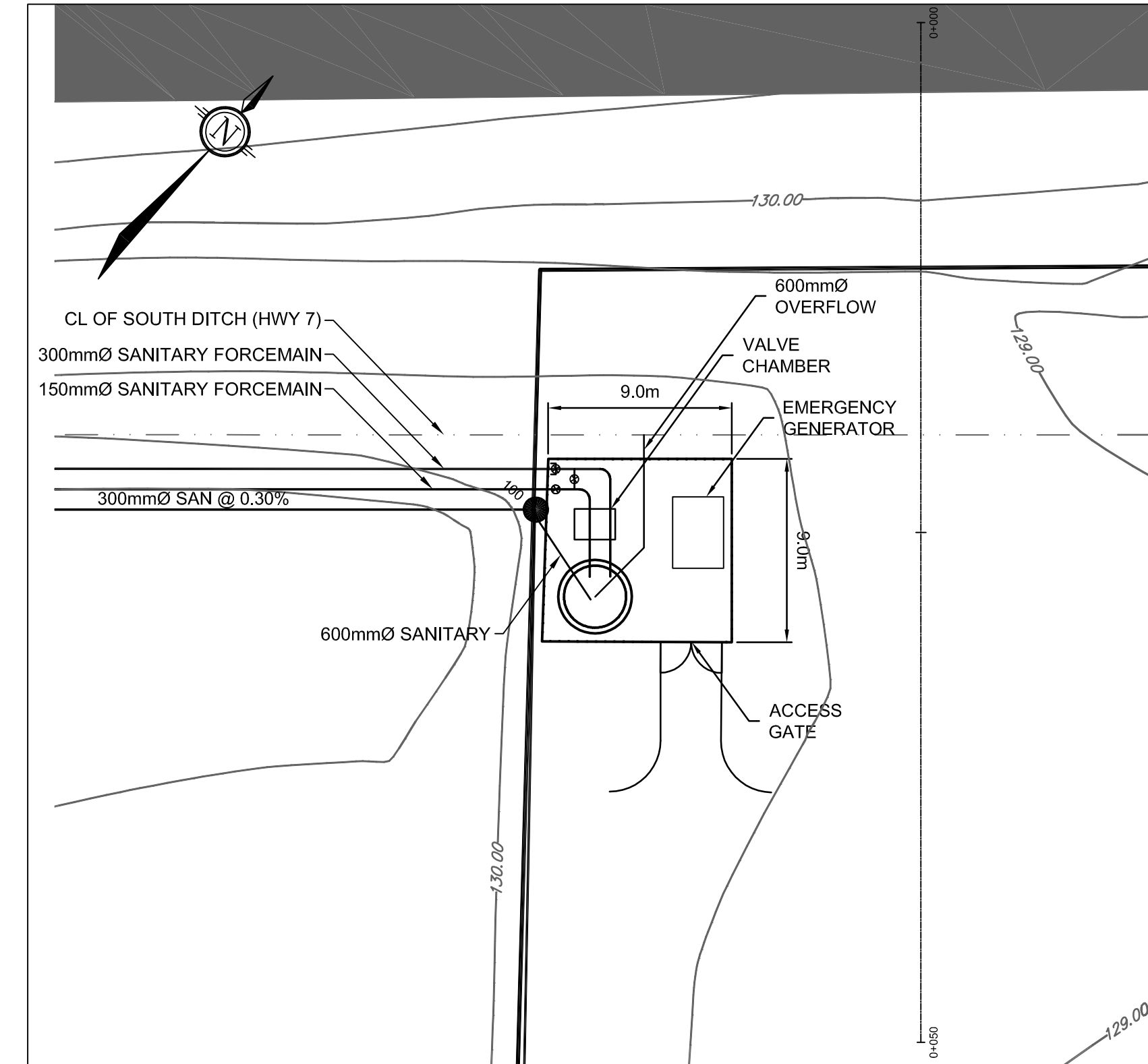
PLAN VIEW - PHASE 1 @ EL 130.30m



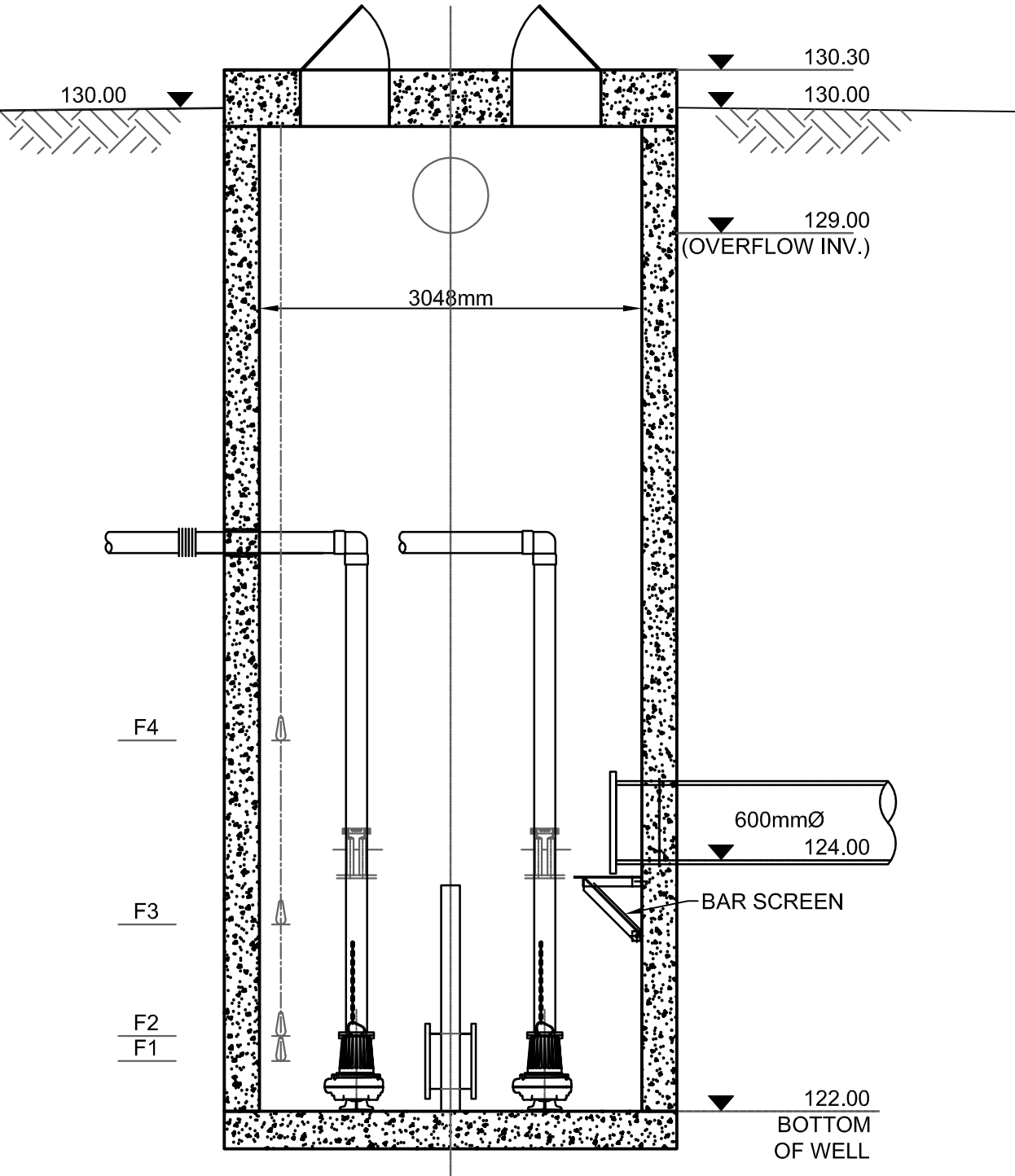
PLAN VIEW - ULTIMATE @ EL 130.00m



PLAN VIEW - PHASE 1 @ EL 130.00m

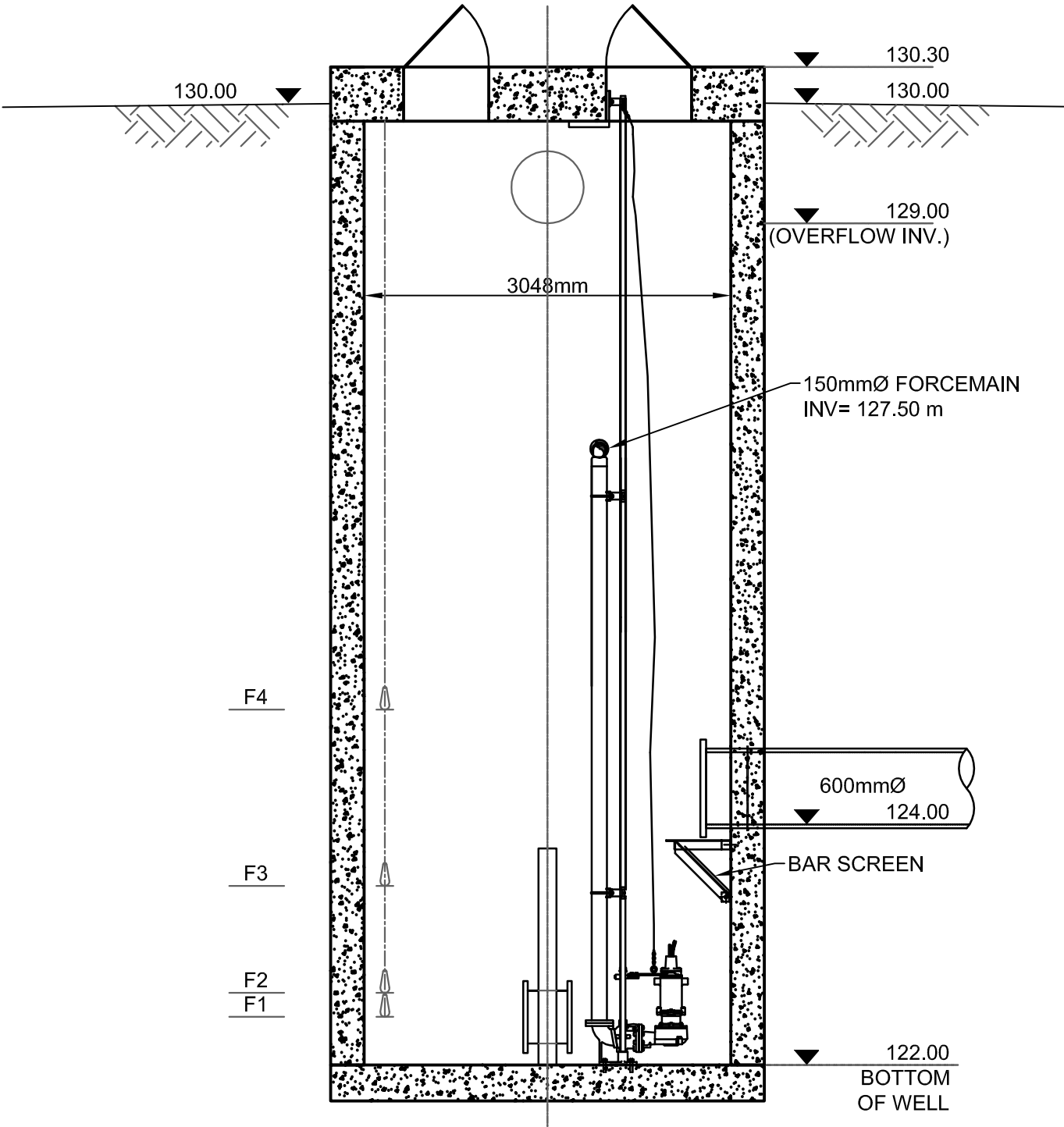


1 PUMP STATION SITE PLAN
SCALE = 1:250

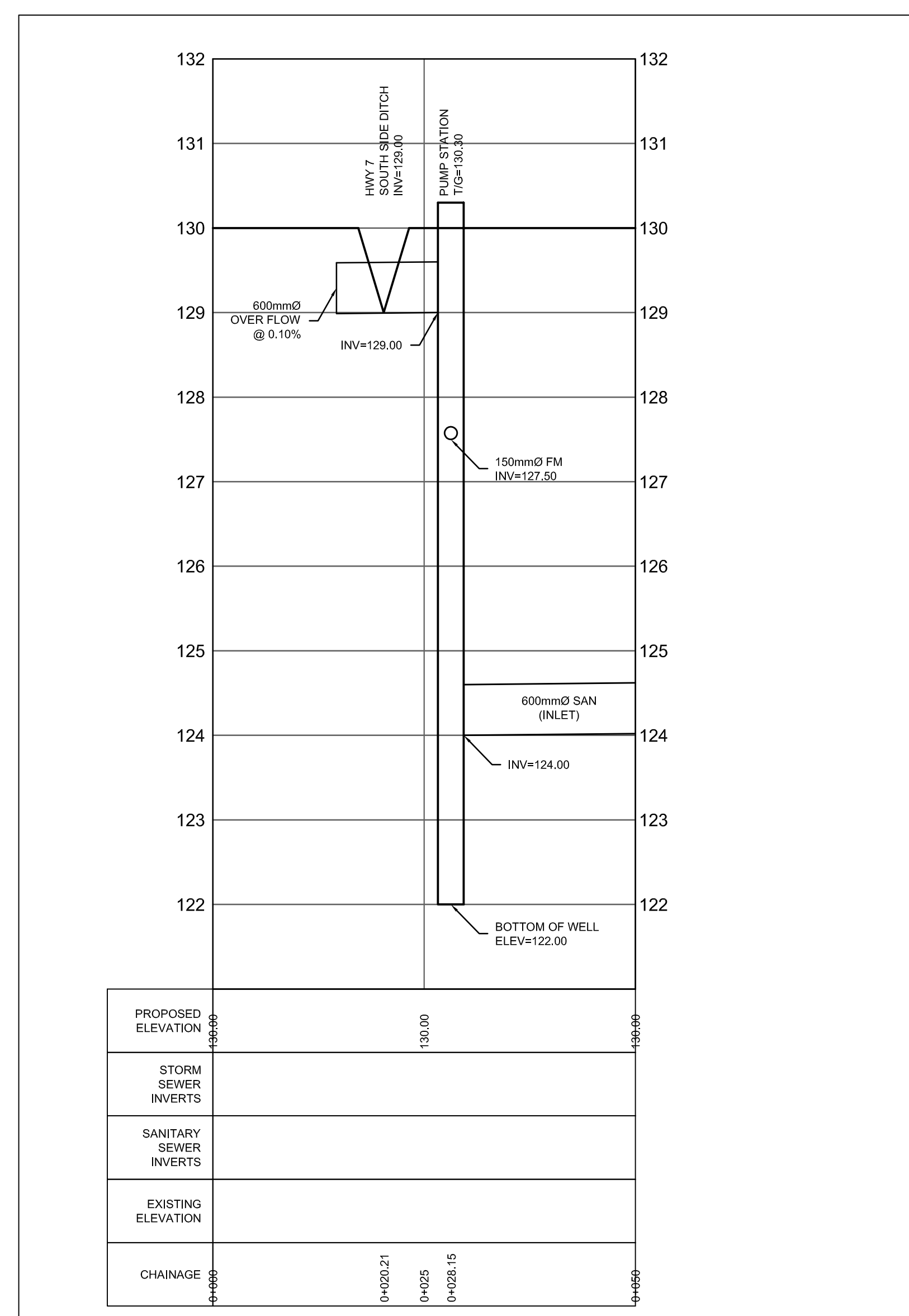


2 3000mm WET WELL
SCALE = 1:50

LEVEL CONTROL (INITIAL COND.)	
F4	H.W.L. ALARM
F3	START PUMP
F2	STOP ALL PUMPS
F1	L.W.L. ALARM



2 3000mm WET WELL
SCALE = 1:50



PROFILE: PUMP STATION & FORCE MAIN
SCALE: 1:500 HORIZONTAL
1:50 VERTICAL

DRAFT

M:\2020\21\112110\DWG\112110-PS.dwg, 11/21/2021, 11:21:00 AM, 11/21/2021, 11:21:00 AM, 11/21/2021, 11:21:00 AM

NOTE:
THE POSITION OF ALL POLE LINES, CONDUITS, WATERMANS, SEWERS AND OTHER UNDERGROUND AND OVERGROUND UTILITIES AND STRUCTURES IS NOT NECESSARILY SHOWN ON THE CONTRACT DRAWINGS, AND WHERE SHOWN, THE ACCURACY OF THE POSITION OF SUCH UTILITIES AND STRUCTURES IS NOT GUARANTEED. BEFORE STARTING WORK, DETERMINE THE EXACT LOCATION OF ALL SUCH UTILITIES AND STRUCTURES AND ASSUME ALL LIABILITY FOR DAMAGE TO THEM.

No.	REVISION	DATE	BY

SCALE	DESIGN
AS SHOWN	CHECKED
	DRAWN
	CHECKED
	APPROVED

FOR REVIEW ONLY	

NOVATECH
ENGINEERING CONSULTANTS LTD.
ENGINEERS & PLANNERS
Suite 200, 240 Mitchell Cowpland Drive
Ottawa, Ontario, Canada
K2M 1P4
Telephone (613) 254-9643
Facsimile (613) 254-5867
Email: novaint@novatech-eng.com

LOCATION TOWN OF CARLETON PLACE HIGHWAY 7 SOUTH DEVELOPMENT AREA	PROJECT NO. 112110-00
DRAWING NAME SANITARY PUMP STATION DETAILS	REV REV #1
DRAWING NO. 112110-PS	